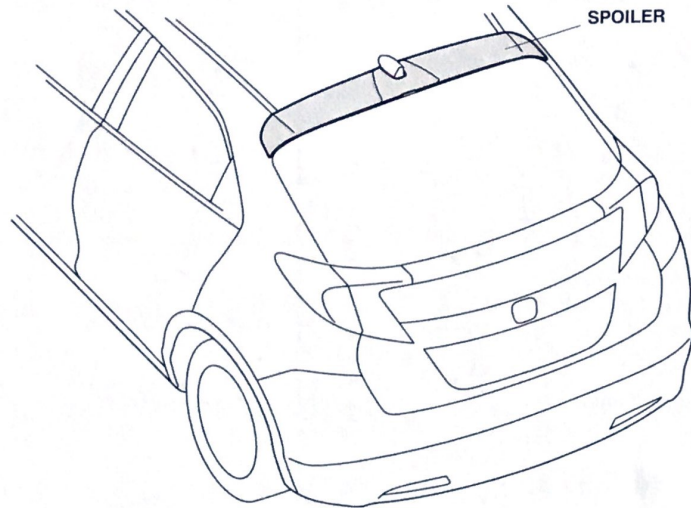


ROOF SPOILER

*CIVIC*

## GENERAL VIEW



QA53101AH

## FOR YOUR SAFETY (Read carefully)

## Introduction of Symbol Messages

- These symbols warn you about the possible hazards and explain how to avoid them. And give you some advices.

**▲ DANGER**

You will be killed or seriously hurt if you do not follow the instructions.

**▲ WARNING**

You can be killed or seriously hurt if you do not follow the instructions.

**▲ CAUTION**

You can be hurt if you do not follow the instructions.

**NOTICE**Gives advice to prevent damage to the product.  
Gives helpful information or instructions to be followed in using the product.

Indicates prohibited actions.

## Introduction of Icons

- These icons indicate the working place and the worker's vision.



The place for the vehicle.



The place for the instrument panel.

- These icons indicate the necessary things for your safety and the work.



Wear eye protection.



Wear heavy gloves.



Work with an assistant.



Place the part on a blanket.



Remove any burrs.



Use the touch-up paint and dry.



Keep the parts and give it to the customer.  
(Not use)



Press strongly.



Tighten by specified torque.



Work perpendicularly.



Clean with the contact cleaner.

## Safety: General

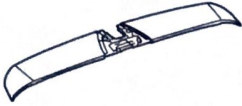


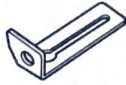



- Observe all safety notes and precautions described in the Shop Manual in addition to those described in this Installation Instruction. Be extremely careful for your safety and safety of others particularly.
- Be careful not to damage the vehicle and the parts.
- Be extremely careful to the handling of the retaining tabs and clips particularly.
- Note the locations of the parts before removing them so that they can be reinstalled in their original positions properly.

## Safety: For the Accessory

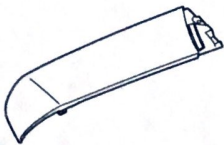











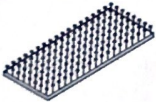
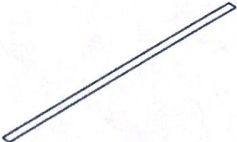

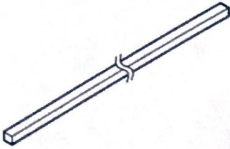
- Always use the parts and tools specified in the installation instructions.
- Do not perform installation work and attaching work at the place where gets the direct rays of the sun or the dust appears.
- Always install these accessories at the ambient air temperature 18°C (64°F) or above.
- Heat the accessories and bonding surfaces if the ambient air temperature is below 18°C (64°F).
- Attach the accessories by pressing it firmly with the palm of your hand. Be careful not to damage the accessories and the vehicle parts.
- Carefully place the double-sided adhesive tape on the proper position. Once the double-sided adhesive tape touches the surface, do not try to detach and relocate it. If you attempt to move after it touches the surface, you will damage the part before the adhesive will give way.
- Not to wash the vehicle or moisten it for 24 hours to allow the adhesive to cure.
- Not to apply any wax or other surface treatment before installation of the accessory.

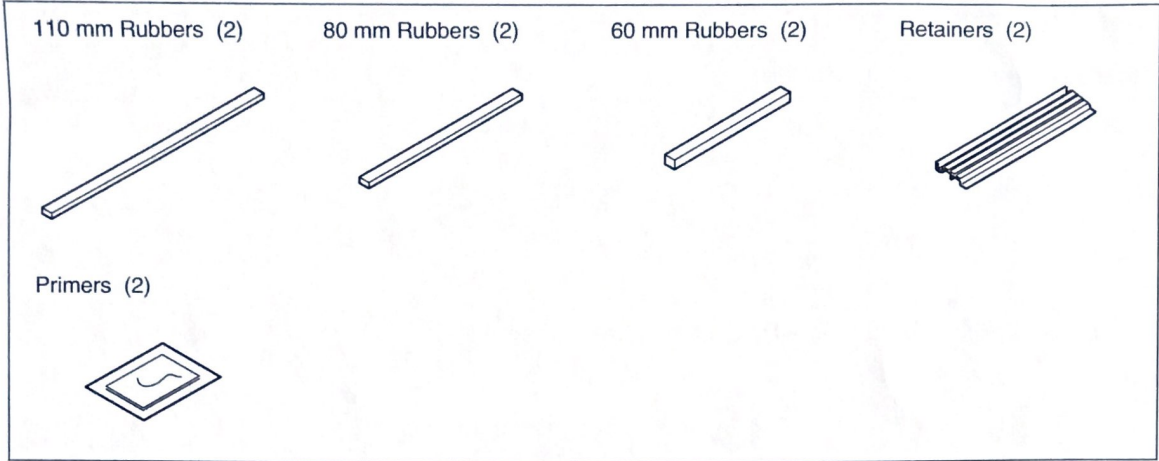
# PARTS LIST

## Roof Spoiler (BODY COLOR) Kit

Spoiler 	Cover 	Left bracket 	Right bracket 
Self-tapping screws (2) 	Spring nuts (2) 	Cleaners (2) 	

## Roof Spoiler (PRIMER) Kit

Left spoiler 	Right spoiler 	Cover 	Left bracket 
Right bracket 	Self-tapping screws (2) 	Spring nuts (2) 	Cleaners (4) 
Rubber 	Garnish 	Clips (4) 	Fasteners A (2) 
Fasteners B (2) 	370 mm Seals (2) 	100 mm Seals (2) 	300 mm Rubbers (2) 



## TOOLS AND SUPPLIES REQUIRED

- Phillips screwdriver
- Tape
- Handy remover
- Hacksaw
- Flat-tip screwdriver
- Empty cardboard box
- Felt-tip pen
- File
- Masking tape
- Torch
- Ruler
- Blanket

# INSTALLATION

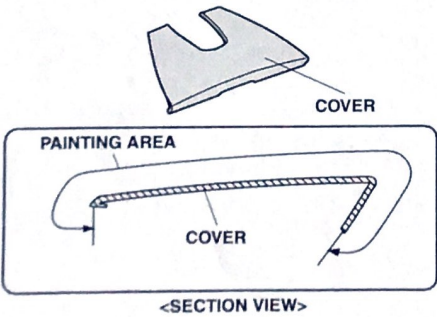
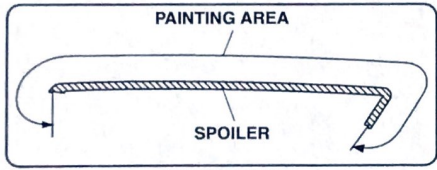
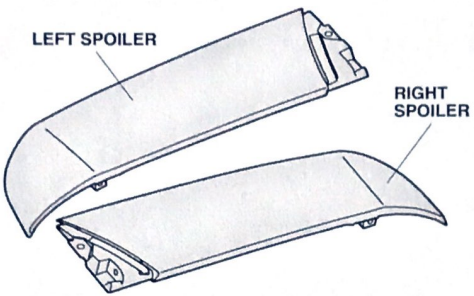
## Painting the Spoiler

- |                  |            |
|------------------|------------|
| • PRIMER kit     | To step 1  |
| • BODY COLOR kit | To step 13 |

<PRIMER kit>

1. Paint the painting areas.

NOTICE
<ul style="list-style-type: none"><li>• Make sure that masking tapes do not peel off. If the masking tapes peel off, repair the masking tapes.</li><li>• Dry thoroughly.</li></ul>



QA53104CH

2. Remove the masking tapes.

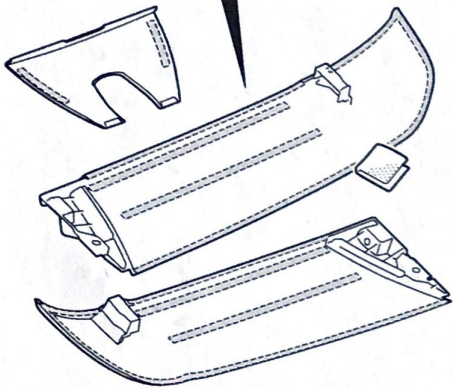
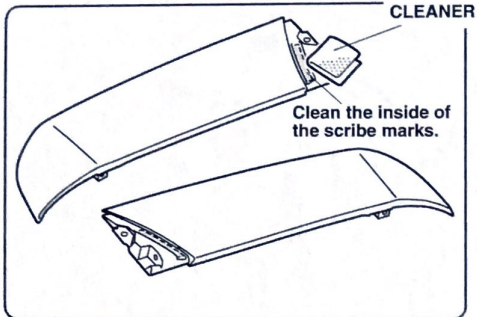


QAN1601AH

3. Clean the attaching areas.

**NOTICE**

- Dry thoroughly.

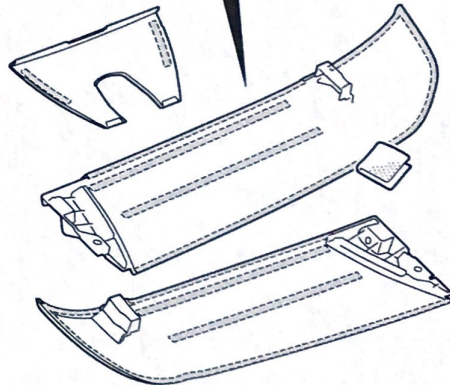
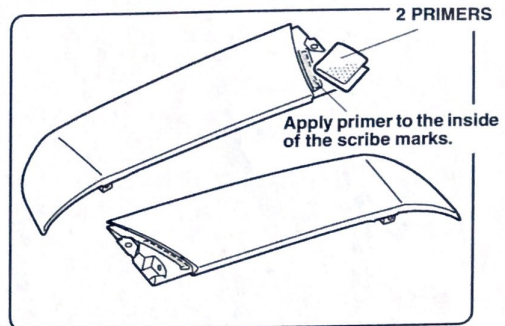


QAN1602AH

4. Apply primer.

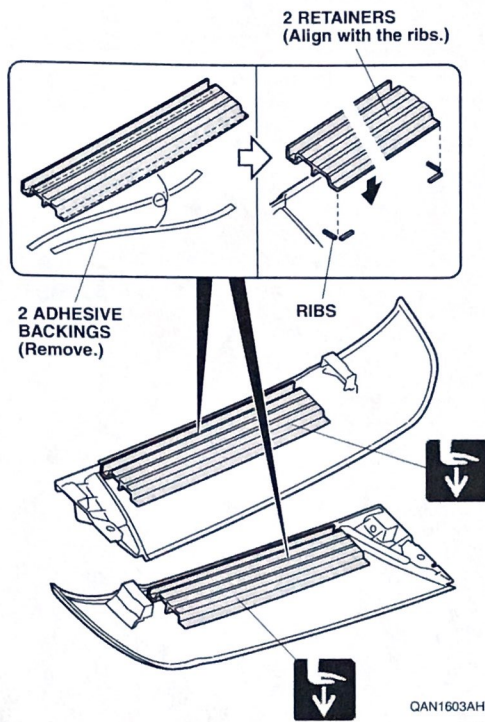
**NOTICE**

- Be careful not to apply the primer anywhere except the indicated area.
- Do not apply additional primer.
- Dry thoroughly.

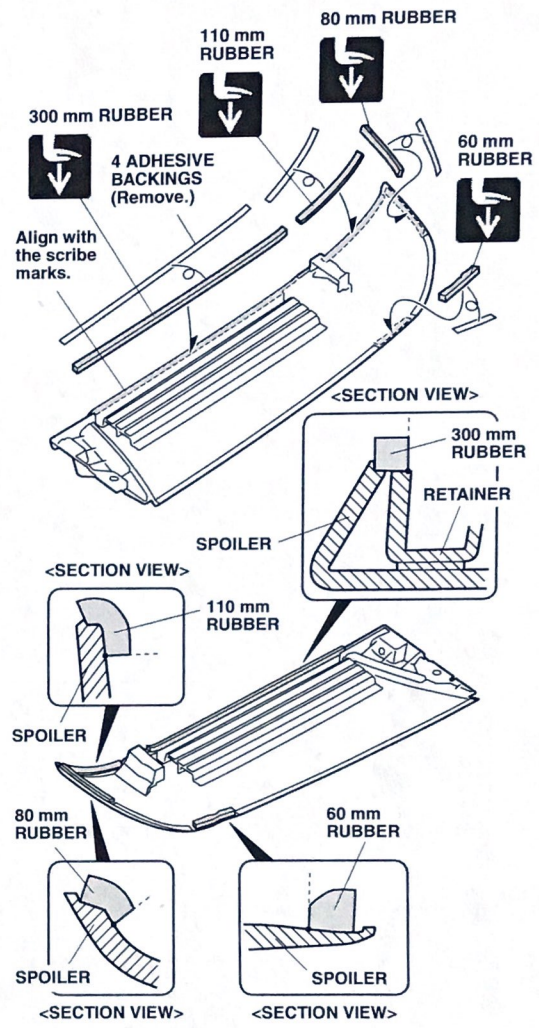


QAN1602AH

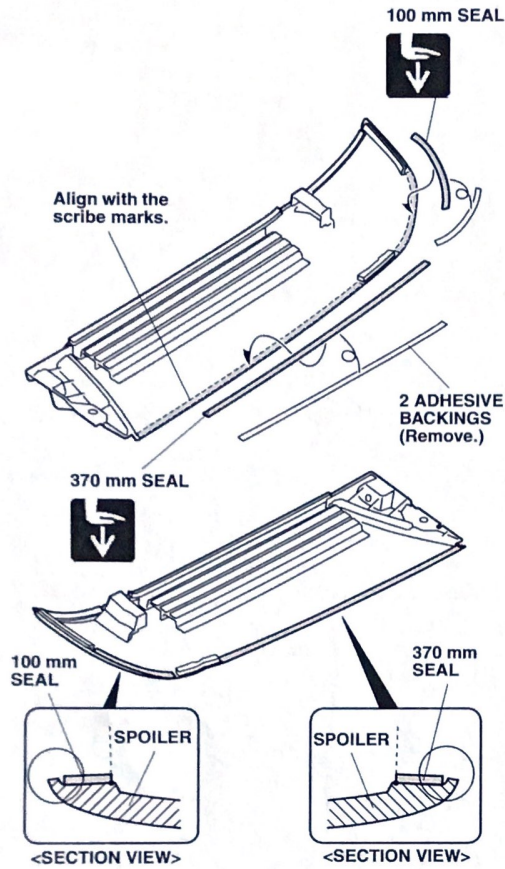
5. Attach the retainers.



6. Attach the 300 mm rubbers, 110 mm rubbers, 80 mm rubbers, and 60 mm rubbers.

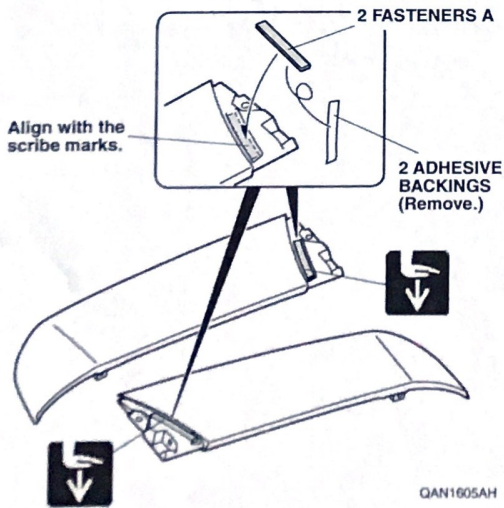


7. Attach the 370 mm seals and 100 mm seals.



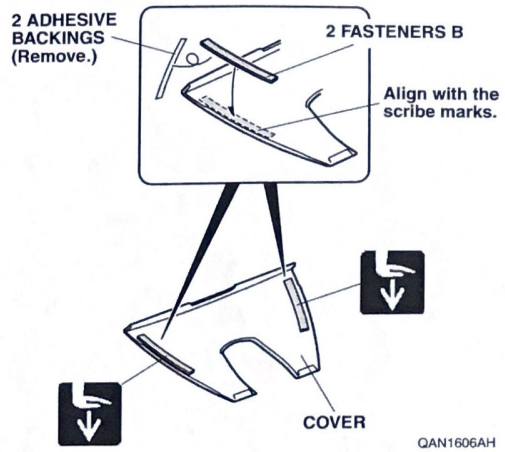
BG8

8. Attach the fasteners A.



QAN1605AH

9. Attach the fasteners B.

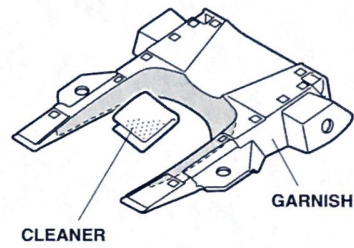


QAN1606AH

10. Clean the attaching area.

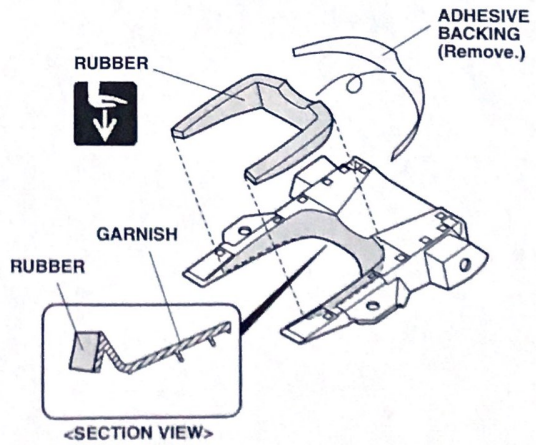
**NOTICE**

- Dry thoroughly.



QAN2501AJ

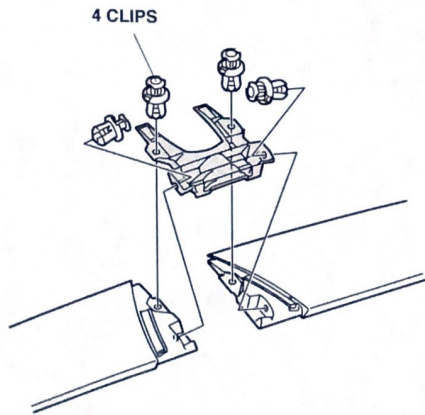
11. Attach the rubber.



QAS3108AH



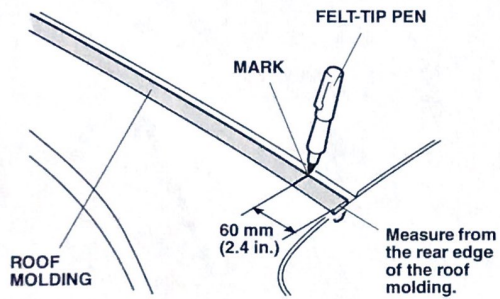
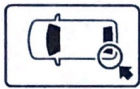
12. Secure the garnish.



QA53102AH

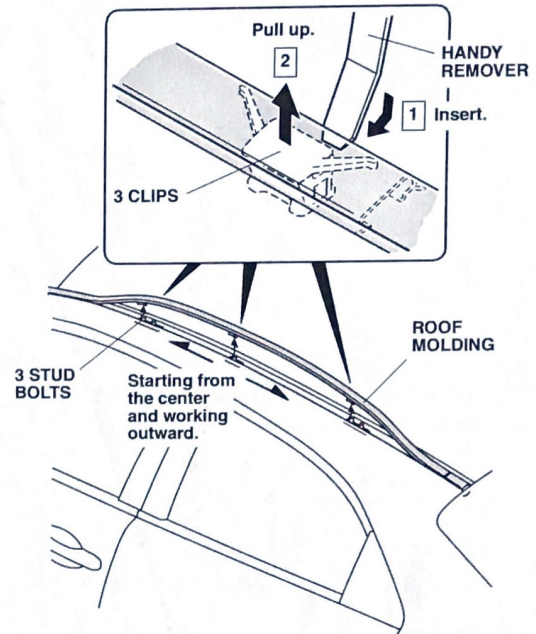
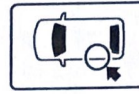
### Installing the Spoiler

13. Mark the roof molding.



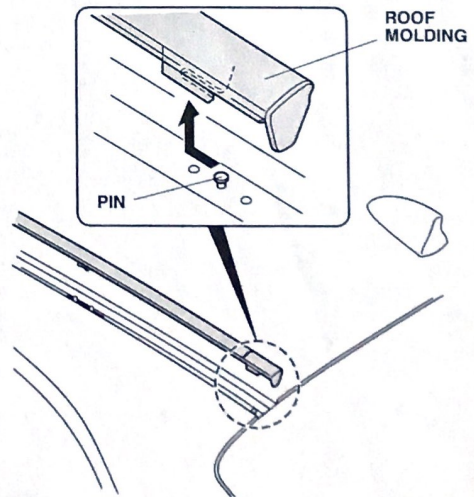
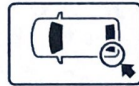
QA70201BH

14. Release the roof molding.



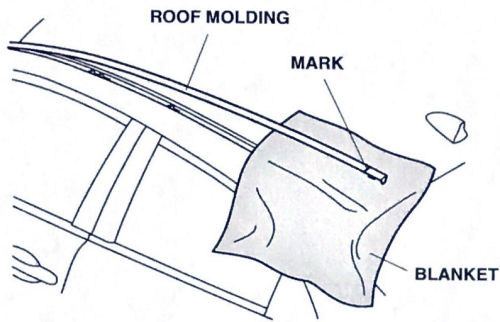
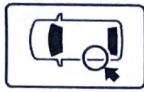
QA53109CH

15. Release the roof molding.



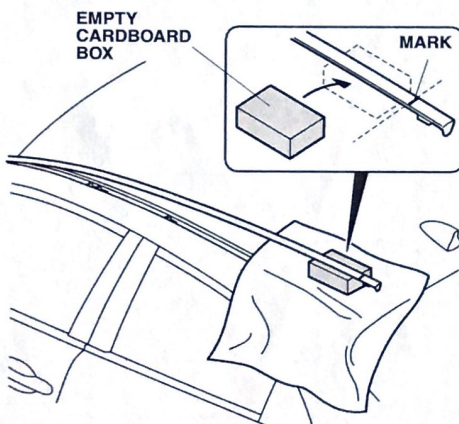
QA71150AH

16. Place a blanket to protect the vehicle.



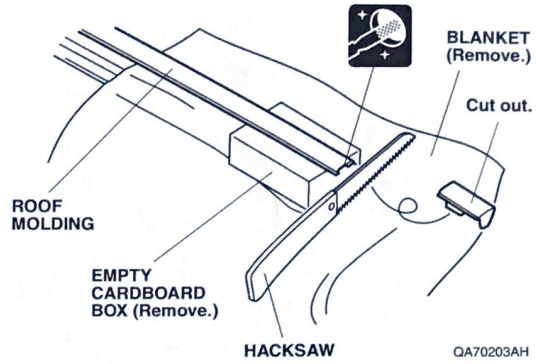
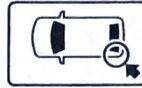
QA70202BH

17. Place an empty cardboard box to protect the vehicle.



QA70901AH

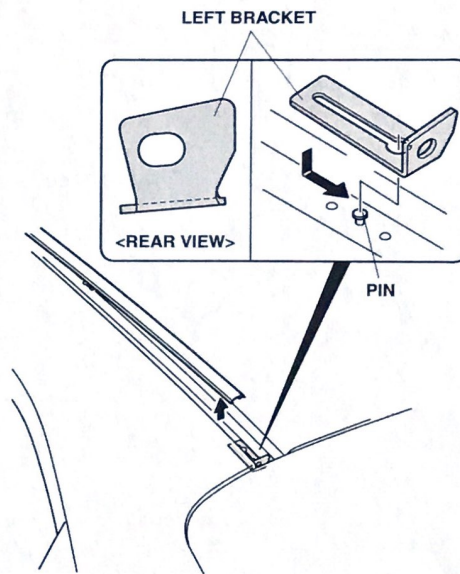
18. Cut the roof molding.



QA70203AH

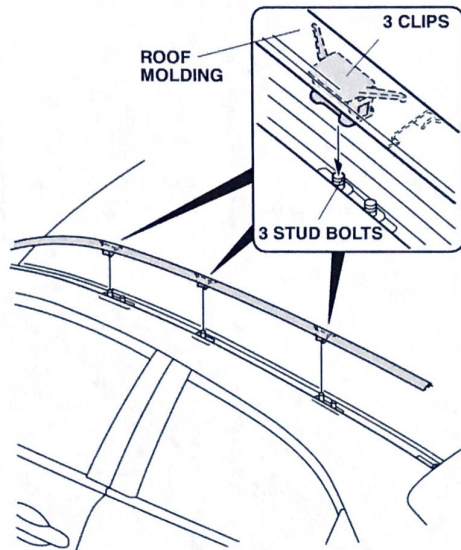
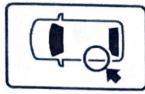
19. Remove the empty cardboard box and blanket.

20. Install the left bracket.



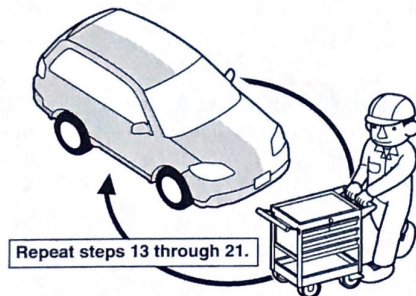
QE50601AH

21. Secure the roof molding.



QA53120BH

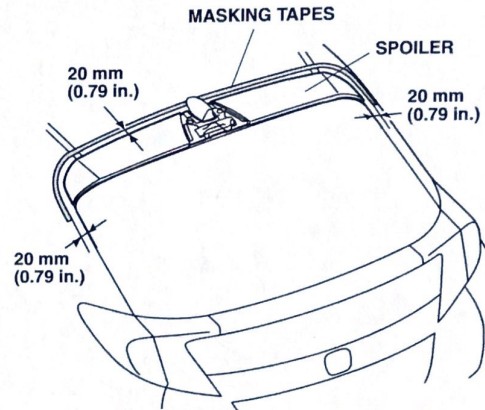
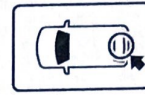
22. Repeat same procedures for the other side.



Q9D1014AM

23. Position the spoiler.

24. Apply masking tapes to mark the attaching area.



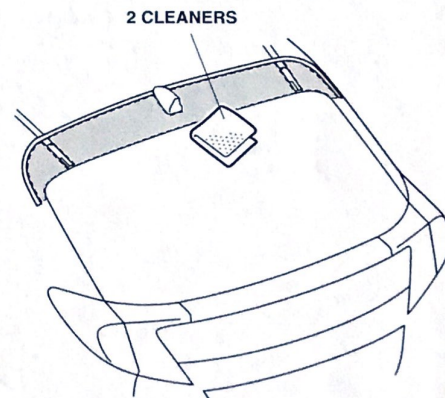
QEN0101AT

25. Remove the spoiler.

26. Clean the attaching area with the supplied cleaners from the kit or isopropyl alcohol.

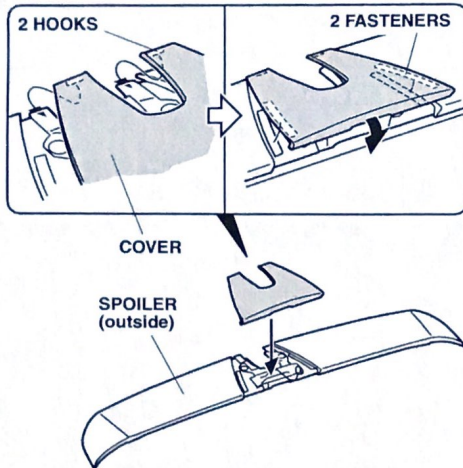
### CAUTION

- Dry thoroughly.
- Do not use organic solvent (e.g. thinner, benzene, gasoline, etc.) acid or alkaline solution.
- Only use the supplied cleaner tissues or isopropyl alcohol.



QEN0102AT

27. Install the cover.

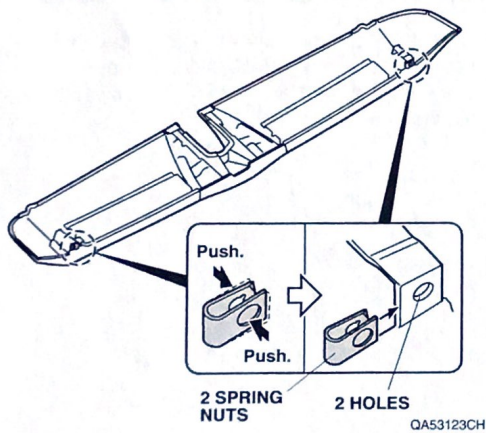


QA53129BH

28. Insert the spring nuts.

**NOTICE**

- Make sure to install the spring nuts in the correct position and orientation.



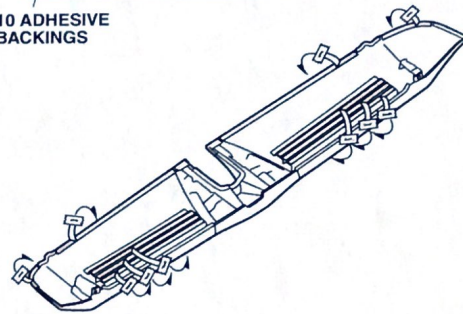
29. Partially detach and secure the adhesive backings to the outer surface of the spoiler using masking tape as shown.

**NOTICE**

- Do not remove the adhesive backings entirely.



10 ADHESIVE BACKINGS

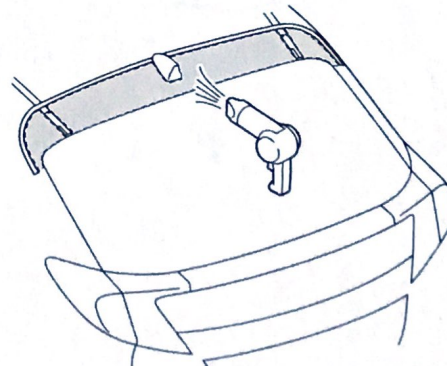


BG9

30. Warm up the attaching area and roof spoiler if needed.

**NOTICE**

- If the ambient car body temperature is below 18°C (64°F), use a dryer to heat the attaching surface to 18 - 40°C (64 - 104°F).

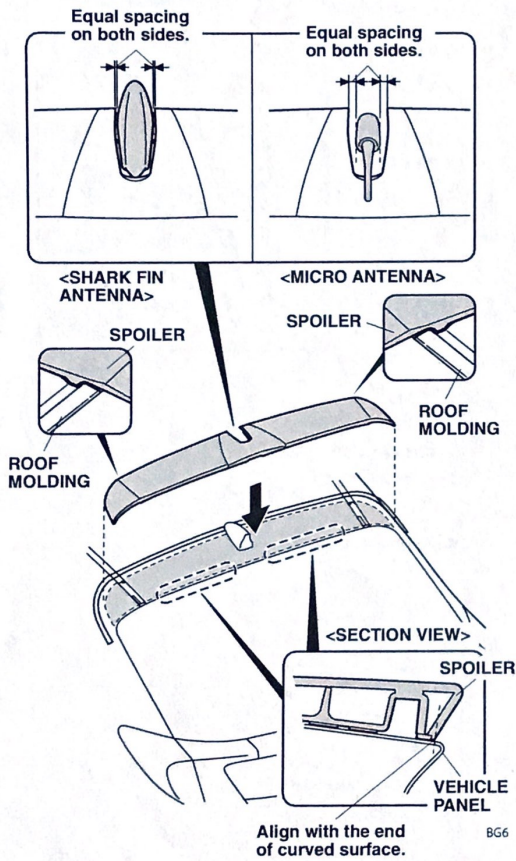


BG1

31. Place the spoiler on the roof in the correct position.

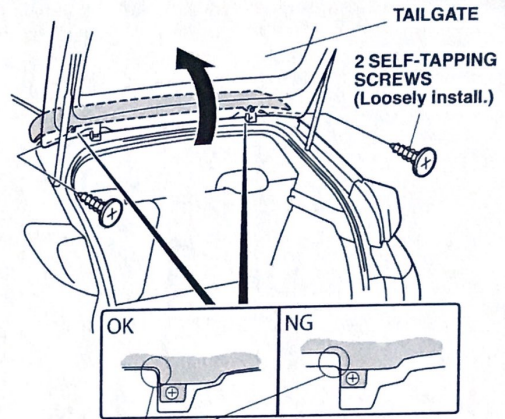
**NOTICE**

- Carefully place the double-sided adhesive tape on the proper position. Once the double-sided adhesive tape touches the surface, do not try to detach and relocate it.
- Make sure there is equal spacing on both sides of the antenna.
- Make sure the spoiler is correctly aligned with the end of the curved surface.
- DO NOT apply pressure yet.



32. Open the tailgate.

33. Loosely install the self-tapping screws.

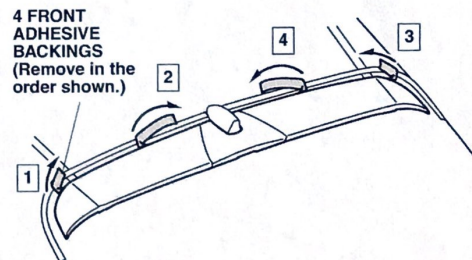


Check the spoiler position.

BG7

34. Close the tailgate.

35. Remove 4 front adhesive backings.

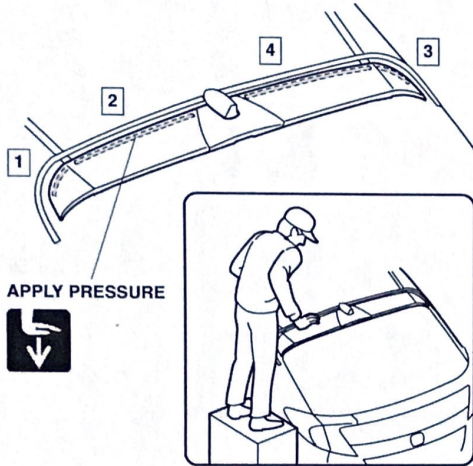


BG2

36. Apply and hold pressure everywhere along the indicated areas.

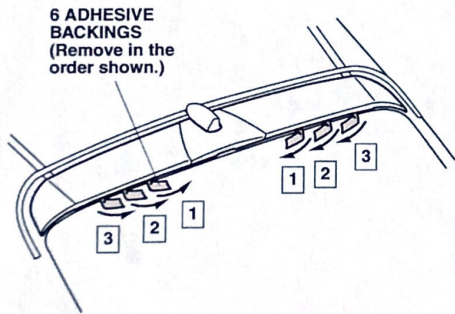
**⚠ CAUTION**

- Strongly press and hold the spoiler against the roof panel for 30 seconds.



BG3

37. Remove 6 adhesive backings.



BG4

38. Apply and hold pressure everywhere along the indicated areas.

**⚠ CAUTION**

- Strongly press and hold the spoiler against the roof panel for 30 seconds.



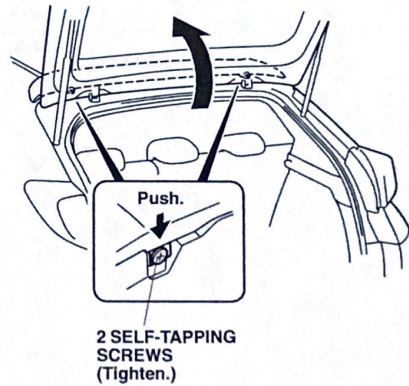
BG5

39. Open the tailgate.

40. Tighten the self-tapping screws.

**NOTICE**

- Work by holding the spoiler.

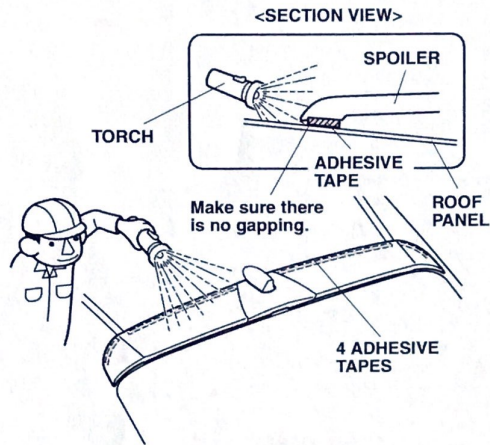


QEN0107AT

41. Close the tailgate.
42. Check with a torch.

**NOTICE**

- There should be no gaps between the adhesive tape and the roof panel.

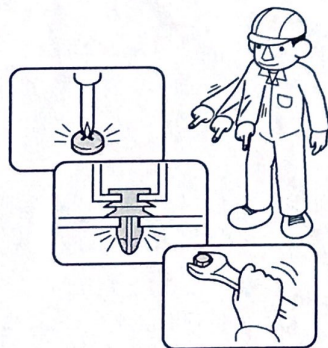


QA72310AH

43. Remove the masking tapes from the roof.

**Check After Installation**

44. Check that all parts are installed properly.

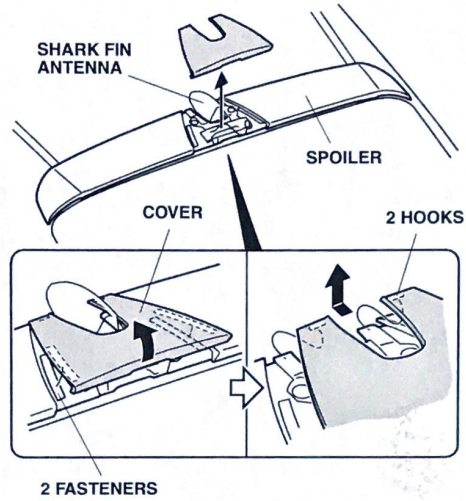


Q060705AM

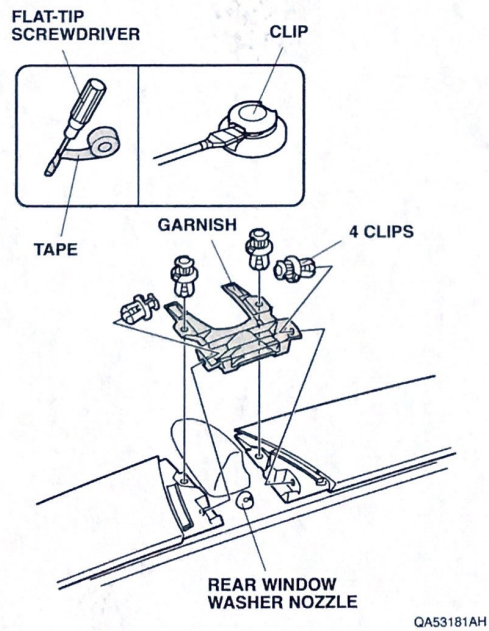
Please give your customer a copy of this page.

When caring the rear window washer nozzle (rear wiper equipped type only)

1. Remove the cover.



2. Remove the garnish.



3. Install the garnish and cover in the reverse order of removal.